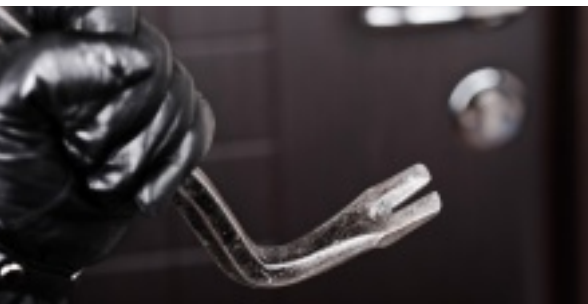




BURGLARY RESISTANT
DRUG CABINET FOR
HOSPITALS, DOCTOR'S
SURGERIES AND
PHARMACIES



DRUG CABINET

STORAGE FOR PRESCRIPTION DRUGS



KEY FEATURES

- Suitable for storage of prescription drugs
- Ideal for hospitals, doctor's surgeries, pharmacies or any other situation where securing stock is required
- Supplied with key lock
- Constructed from 10mm solid steel
- Each model is supplied with shelves
- Available in 3 sizes
- Welded strap on lock body
- Boltwork encased when retracted
- Complies with all state codes.



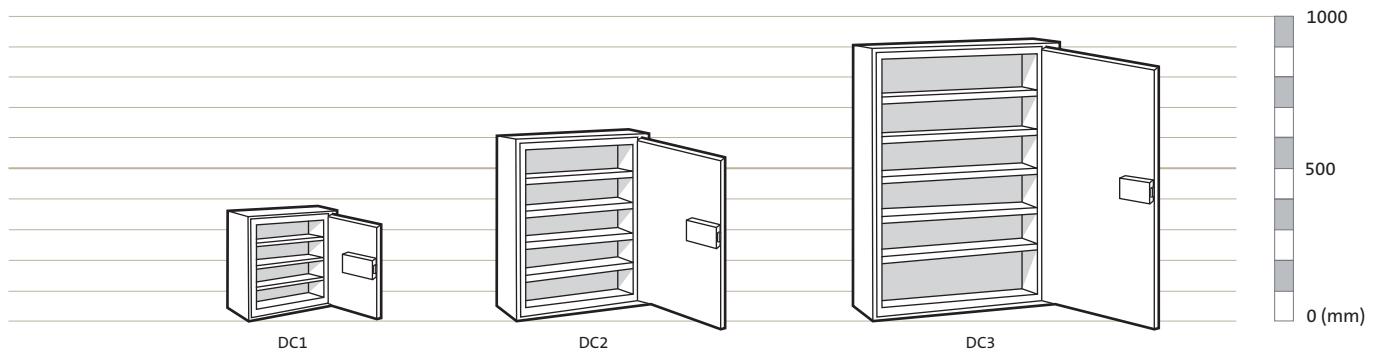
TERRY'S
GOLD COAST
SAFES

www.gcsafes.com.au

Chubbsafes
Trusted the world over.

DRUG CABINET

PRODUCT SPECIFICATIONS



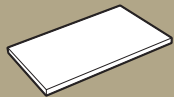
Model	Ext. Height (mm)	Ext. Width (mm)	External Depth (mm)	Int. Height (mm)	Int. Width (mm)	Int. Depth (mm)	Volume (litres)	Weight (kg)	Standard internal fittings
DC1	350	240	150	330	220	130	10	27	3 shelves
DC2	600	450	150	580	430	130	32	66	4 shelves
DC3	900	600	300	880	580	260	132	160	5 shelves

* In electronic models, add 20mm to allow for keypad projection.

CONSTRUCTION

DOOR & BODY

The Drug Cabinet is made from 10mm thick steel.

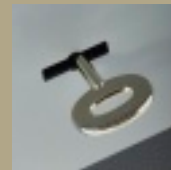


INTERIOR FITTINGS

SHELF

The DC1 Model comes with 3 internal shelves
 The DC2 Model comes with 4 internal shelves
 The DC3 Model comes with 5 internal shelves

LOCKS



KEY LOCK

The Drug Cabinet is supplied with a key lock opened by turning the key. The double-bitted key lock used is supplied with two identical keys.



TERRY'S
GOLD COAST
SAFES

www.gcsafes.com.au

www.chubbsafes.com.au

Chubbsafes
 Trusted the world over.